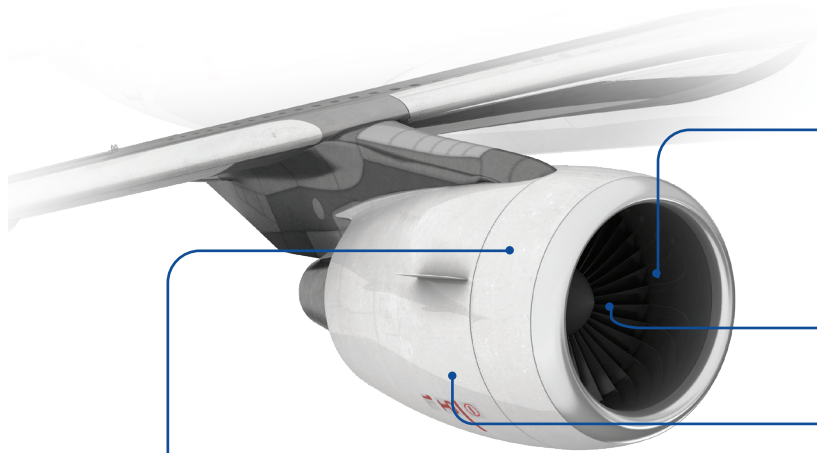


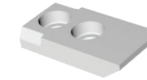


BESPOKE SEALING & MATERIAL SOLUTIONS IN AVIATION APPLICATIONS



**Turbofan Engine Gearbox
Omniseal® Polymer Seals**

- High temperature resistance
- Low leakage
- Long lifetime
- Jet oil compatibility



**Turbofan Engine Compressor
Hycomp™ Wear Bearing Pads**

- High temperature resistance
- Long lifetime
- Low wear



**Turbine
Omniseal® Metal Seals**

- Hot airflow restriction
- Large joint movement
- Long lifetime



**Hydraulics System
Omniseal® Metal Boss Seals**

- Designed to function with standard AS5202 ports
- Low leakage



**Rotor Head Damper
Omniseal® Spring-Energized Seals**

- Low leakage pressure up to 140 bars (2000 psi)



**Turboshaft
Omniseal® Rotary Lip Seals**

- Low leakage
- Long lifetime
- Jet oil compatibility



**Main Rotor Swashplate
Omniseal® Rotary Lip Seals**

- Designed to restrain bearing cage from dirt, dust, and bearing particles
- Able to run dry at variable speeds



**Inlet Guide Vane
Meldin® Polyimides**

- High vibration resistance & mechanical resistance
- High durability versus cycling
- Reduced weight versus metal temperature resistance